

**APPLICATION FOR PLACEMENT ON THE WAITING LIST
TO RENT OLD & NEW T-HANGAR SPACE
AT OAKLAND INTERNATIONAL AIRPORT**

APPLICANT NAME: _____

HOME ADDRESS: _____ CITY: _____

TELEPHONE NO: _____ ZIP CODE: _____

BUSINESS ADDRESS: _____ CITY: _____

TELEPHONE NO: _____ ZIP CODE: _____

AIRCRAFT LEGAL OWNER: _____

AIRCRAFT MAKE: _____

AIRCRAFT MODEL: _____

AIRCRAFT WINGSPAN: _____ (FT.) AIRCRAFT HEIGHT: _____ (FT.)

AIRCRAFT OVERALL LENGTH: _____ (FT.)

AIRCRAFT LICENSE NUMBER: N _____

Please list individual(s) IF aircraft is jointly owned:

Name: _____ Address: _____ Tel No. _____

____ I currently rent T-Hangar # _____

____ I am interested in the following type of unit:

“OLD” T-HANGAR TYPE: ___ A ___ B ___ C ___ D ___ E or ___ ALL TYPES

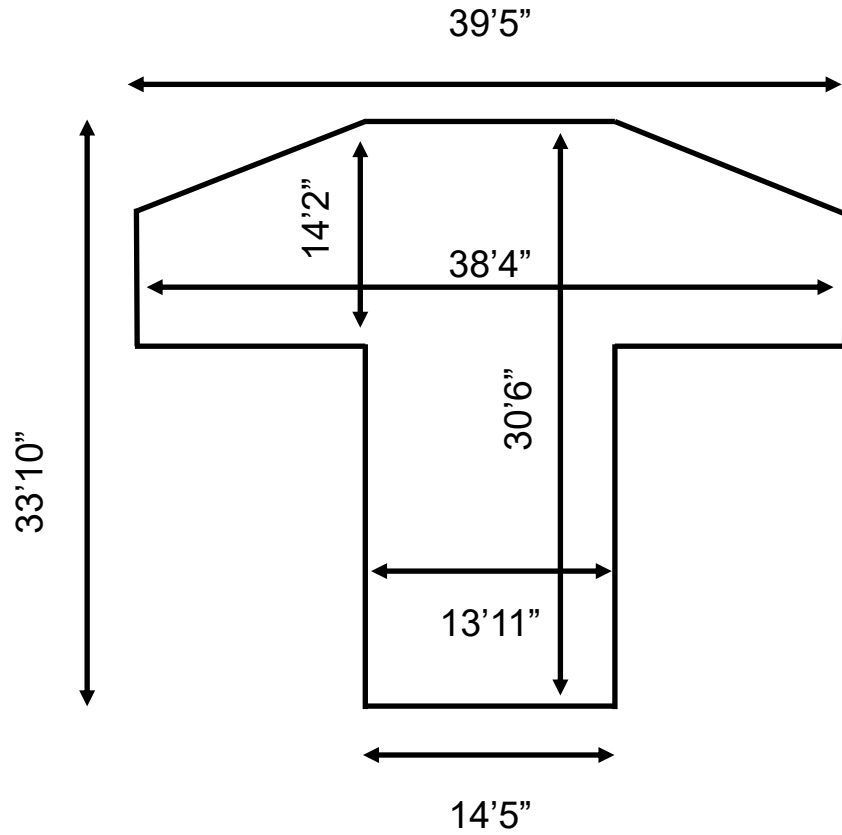
“NEW” T-HANGAR TYPE: ___ A ___ B or ___ ALL TYPES

I understand that this application is for placement of my name on the T-Hangar waiting list ONLY.

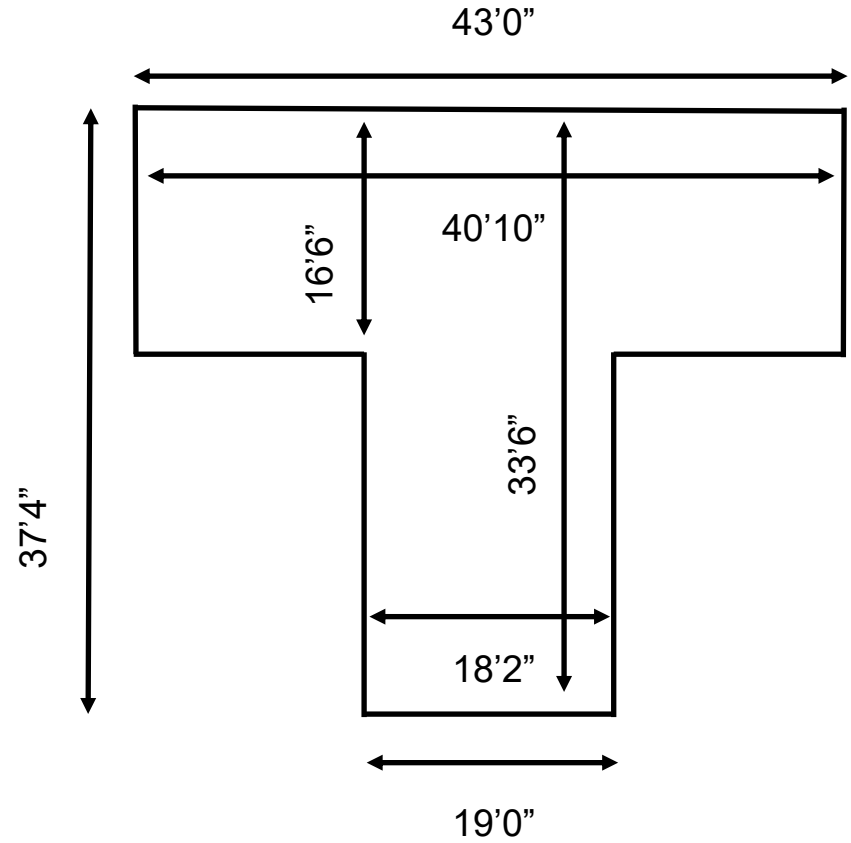
Signature: _____ Date: _____

NEW T-HANGAR DIMENSIONS

TYPE A - 760 SF



TYPE B - 1,000 SF



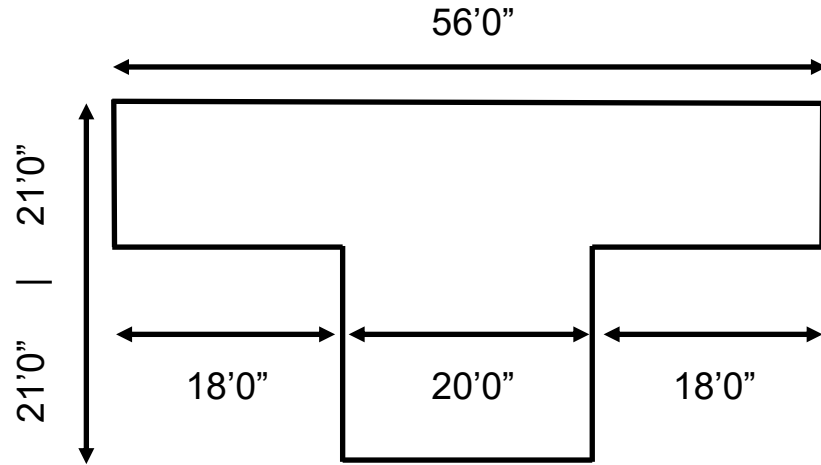
HEIGHT CLEARANCES

Type A: Center - 10'0" ; Wing - 7'5"

Type B: Center - 11'0" ; Wing - 7'8"

North Field T-Hangar Complex (aka "Old T's")

TYPE A - 1,596 SF Building L-905



HEIGHT CLEARANCES

Type A: 14'8"

Type B: 10'8"

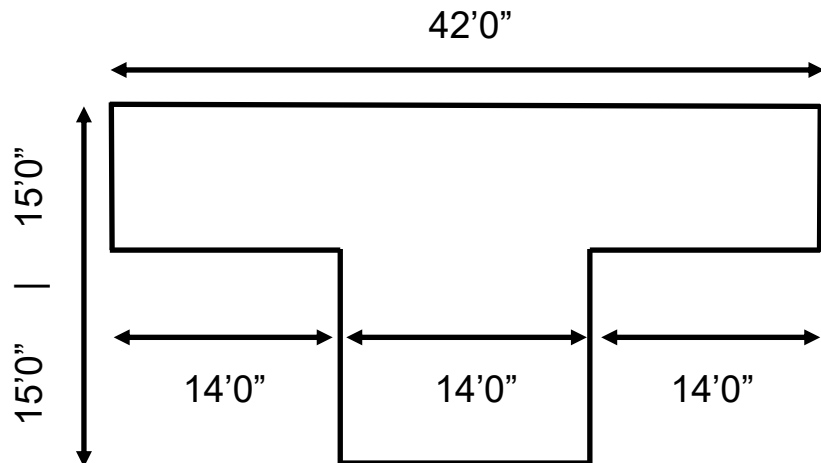
Type C: 10'8"

OFFICE SPACES

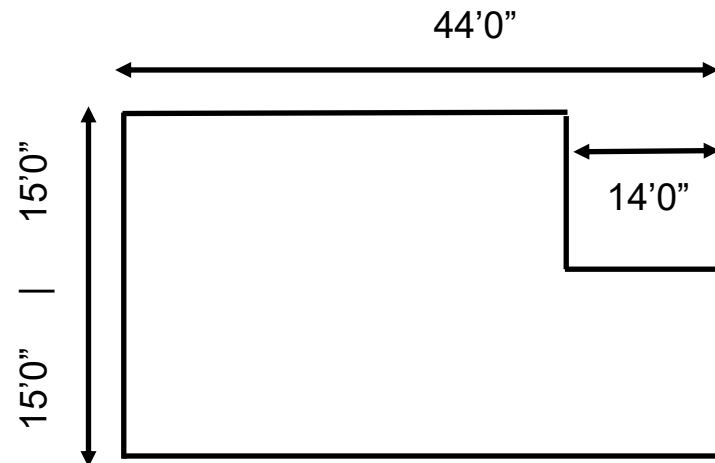
L-905B: 378 SF

L-905C: 189 SF

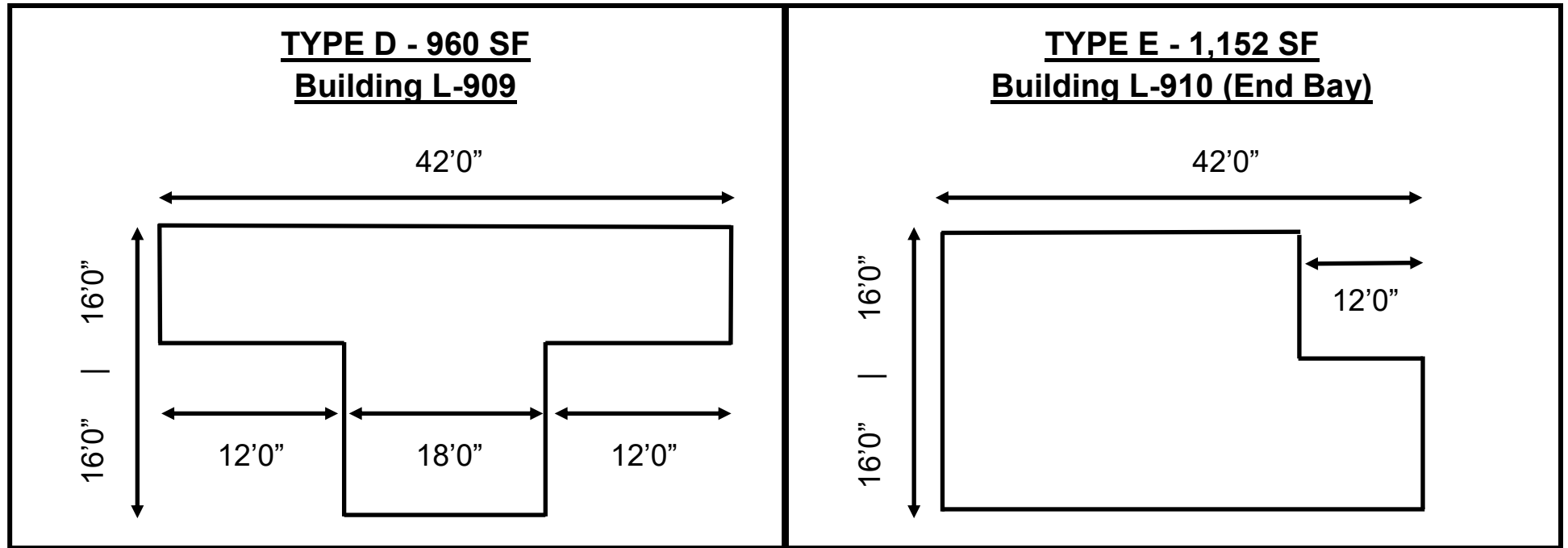
TYPE B - 840 SF Building L-906 (Standard Bay)



TYPE C - 1,110 SF Building L-907 (End Bay)



North Field T-Hangar Complex (aka "Old T's")



HEIGHT CLEARANCES

Type D: 11'4"

Type E: 11'4"